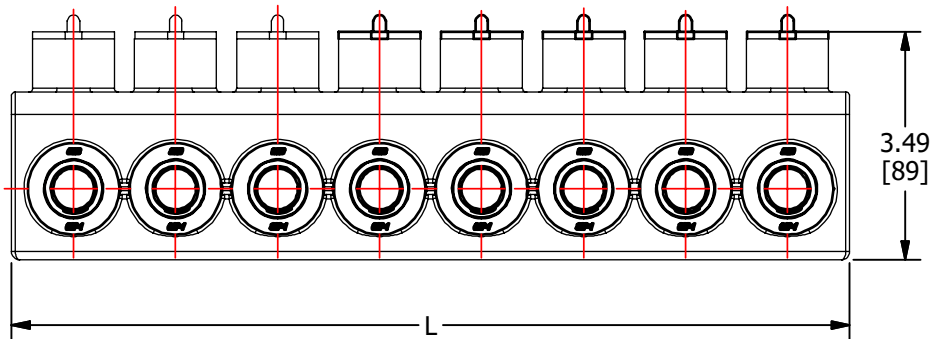
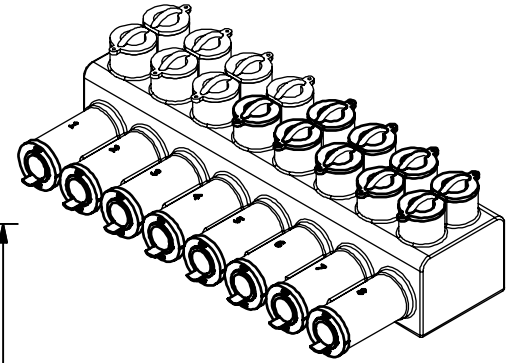
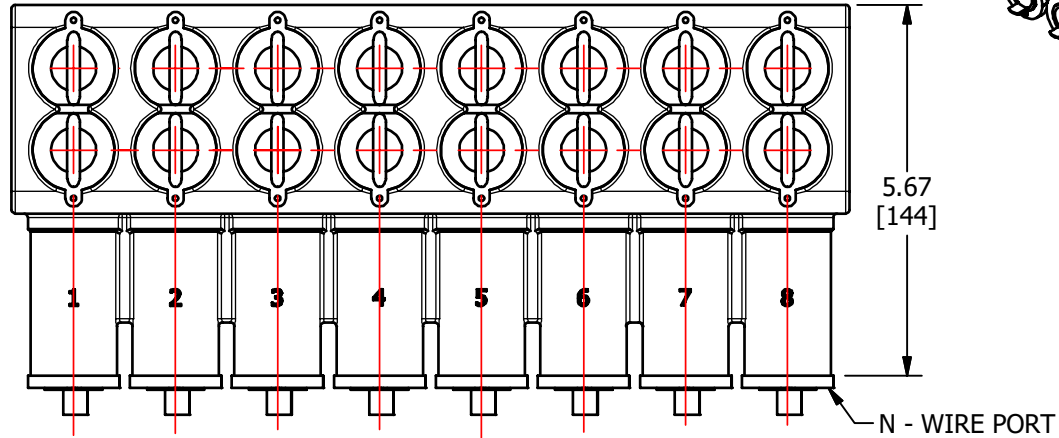
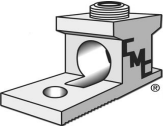


S.NO	CATALOG NUMBER	L
1	SSBC750-3	5.02 [128]
2	SSBC750-3I	5.02 [128]
3	SSBC750-4	6.58 [167]
4	SSBC750-4I	6.58 [167]
5	SSBC750-5	8.14 [207]
6	SSBC750-5I	8.14 [207]
7	SSBC750-6	9.70 [246]
8	SSBC750-6I	9.70 [246]
9	SSBC750-7	11.26 [286]
10	SSBC750-7I	11.26 [286]
11	SSBC750-8	12.82 [326]
12	SSBC750-8I	12.82 [326]
13	SSBC750-8IV	12.82 [326]



INSULATION MATERIAL: EPDM RUBBER  
CONNECTOR MATERIAL: ALUMINUM  
CONDUCTOR RANGE: 750 KCMIL-2

					TO ORDER CMC PRODUCTS	DRAWN BY: TS 01-21-20	NAME OF PART: SURE SEAL COVER ASSEMBLY	CAT. NO.: SEE TABLE
					UNITED STATES 1-513-860-4455	CHECKED BY:	DWG NO: U22700108-S (CHARTED)	A
					CANADA 1-800-361-6975	DRAWING NOT TO SCALE		SHEET NO: 1 OF 1
					MEXICO 011-52-722-265-4400			
A	NEW DRAWING CREATED		01-22-20	TS	FOR PRODUCT INFO www.cmlugs.com			HAMILTON, OHIO
REV.	DESCRIPTION	ECN	DATE	INIT.				

THIS INFORMATION IS PROPRIETARY TO CONNECTOR MFG. CO. AND IS NOT TO BE DISCLOSED OUTSIDE OF CONNECTOR MFG. CO. WITHOUT A CONFIDENTIALITY AGREEMENT



**CONNECTOR MANUFACTURING CO.**

HAMILTON, OHIO